



Hand held Mixers Bermixer PRO 350 W with Stainless Steel Tube (353-453mm)

ITEM # _____

MODEL # _____

NAME # _____

SIS # _____

AIA # _____



600314 (DBP3535)

Portable mixer, variable speed up to 9000 rpm, with stainless steel tube 353 mm, 350W

600320 (DBP3545)

Portable mixer, variable speed up to 9000 rpm, with stainless steel tube 453 mm, 350W

Short Form Specification

Item No. _____

Handheld mixer with stainless steel tube and space saving storing wall support. To be used directly in stew pots, even during cooking. Bayonet system ensures easy removal of accessories. Parts in contact with food - tube, blade, shaft - completely dismountable without tools for easy cleaning. Bell knife design ensures antispash system and minimum handling during working operations. Flat motor base with ergonomic handle for a convenient grip. Electronic speed variator with speed regulation regardless of the load. Electronic speed adjustment by pulse on + and - buttons. Maximum speed: 9000 rpm. Safety feature requires both hands to start the machine. Design for heavy duty usage: double fan system to cool down the motor. Visible and water proof (IP55) control panel to control speed levels and overload warning light. Shaft locking device avoids release during operation. Whisk accessory available as an option.

Main Features

- Parts in contact with food - tube, blade, shaft - can be completely dismounted without tools for easy cleaning.
- Designed to be used directly in stew pots up to 30 lt with the 35 cm tube and 50 lt with the 45 cm tube.
- Delivered with:
 - flat base motor
 - stainless steel tube
 - space saving storing wall support
- Light weight, ergonomic grip and adjustable speeds make preparation tasks fast and easy.
- Anti-splash bell knife design.
- Bayonet system makes fast and simple to exchange tools.
- Overheating warning red indicator.
- Tube, knife and whisks are dishwasher safe.
- Safety feature requires both hands to start the mixer (no volt release system).
- Productivity suitable for 50 to 300 meals per service.

Construction

- Power: 350 watts.
- Maximum speed 9000 rpm.
- Motor has an air cooling system and is protected against overheating (in case of long intensive work).
- Smart speed control to ensure the right power according to the work load.
- Water protected motor unit (controls are IP55, IP34 throughout machine).

Included Accessories

- 1 of 353 mm stainless steel tube for portable mixer bermixer (only for 600314) PNC 650132
- 1 of 453 mm stainless steel tube for portable mixer bermixer (only for 600320) PNC 650133

Optional Accessories

- Reinforced whisk for portable Bermixer PNC 650108
- 353 mm stainless steel tube for portable mixer bermixer PNC 650132
- 453 mm stainless steel tube for portable mixer bermixer PNC 650133
- Adjustable rail for containers diam. 375 mm to 650 mm (to be used with 653294) PNC 653292

APPROVAL: _____



Hand held Mixers Bermixer PRO 350 W with Stainless Steel Tube (353-453mm)

- Holder to support portable mixer PNC 653294
in containers (can be used only
with tube attachment)

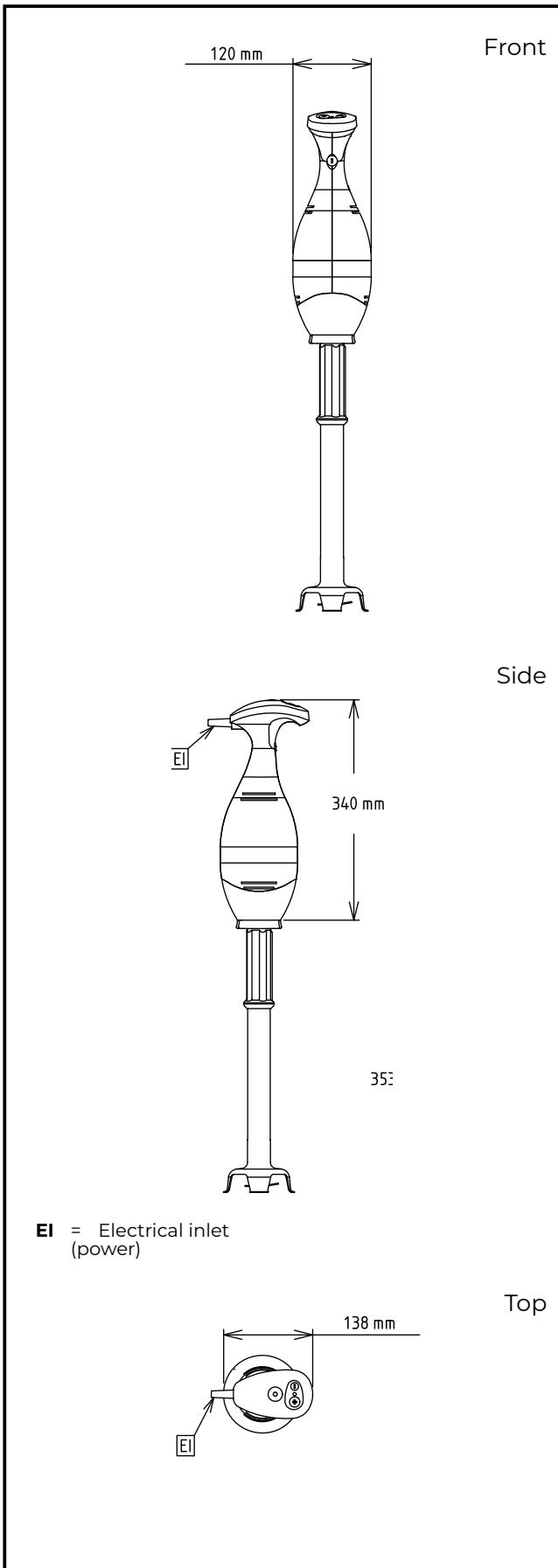


Hand held Mixers
Bermixer PRO 350 W with Stainless Steel Tube (353-453mm)
The company reserves the right to make modifications to the products
without prior notice. All information correct at time of printing.

2024.04.25



Hand held Mixers Bermixer PRO 350 W with Stainless Steel Tube (353-453mm)



Electric

Supply voltage:

600314 (DBP3535) 220-240 V/1 ph/50/60 Hz

600320 (DBP3545) 220-240 V/1 ph/50/60 Hz

Electrical power max.: 0.35 kW

Total Watts: 0.35 kW

Capacity:

Capacity (up to):

600314 (DBP3535) 30 litres

600320 (DBP3545) 50 litres

Key Information:

External dimensions, Width:

138 mm

External dimensions, Depth:

120 mm

External dimensions, Height:

600314 (DBP3535) 665 mm

600320 (DBP3545) 765 mm

Shipping weight:

600314 (DBP3535) 5.45 kg

600320 (DBP3545) 5.6 kg



Hand held Mixers
Bermixer PRO 350 W with Stainless Steel Tube (353-453mm)
The company reserves the right to make modifications to the products
without prior notice. All information correct at time of printing.

2024.04.25